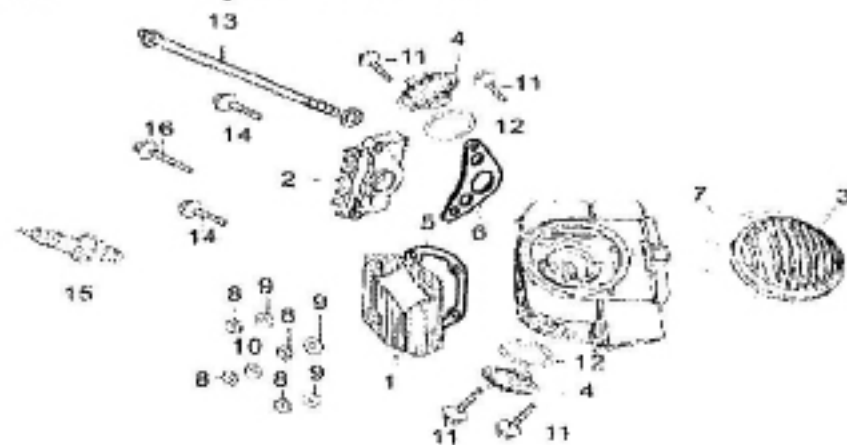


## E-1 气缸头盖

## Cylinder Head Cover

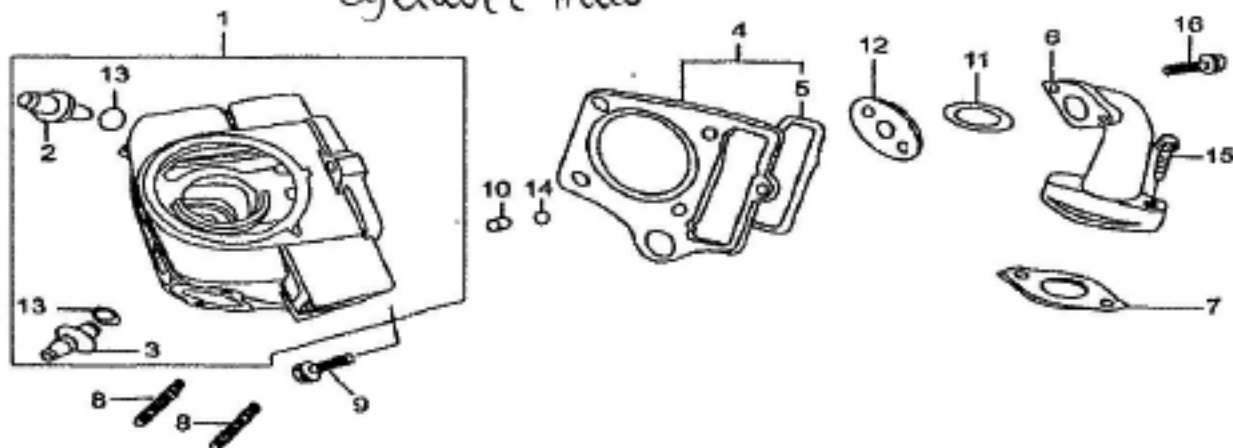


序号 Ref.No.	零部件编码 Part No.	零部件名称	Description	数量 Quantity
1	208A036	气缸头盖	Cover,Cylinder Head	1
2	E03A035	气缸头右盖	Cylinder Head Cover,RH	1
3	208A033	气缸头左盖	Cylinder Head Cover,LH	1
4	208A032	气门盖	Cover,Valve	2
5	206B009	气缸头盖密封垫	Gasket,Cylinder Head Cover	1
6	D00B007	气缸头右盖密封垫	Gasket,Cylinder Head Cover,RH	1
7	E03B006	气缸头左盖密封垫	Gasket,Cylinder Head Cover,LH	1
8	923H070000	盖形螺母M7	Cap Nut M7	4
9	E03L016	铁垫圈7	Steel Washer 7	3
10	E03L008	铜垫圈7	Copper Washer 7	1
11	GB5787	带盘螺栓	Plate bolt	4
12	D00C058	气门盖O型圈30.8×3.2	O-ring 30.8×3.2	2
13	96006110	螺栓M6×110	Bolt M6×110	1
14	96006025	螺栓M6×25	Bolt M6×20	2
15	D00D021	火花塞A7TC	Spark Plug A7TC	1
16	GB5787	螺栓	Bolt	1

## E-2 气缸头

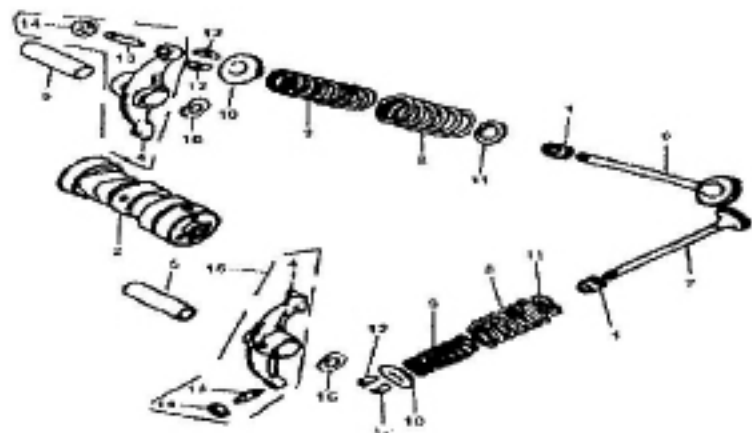
## Cylinder Head

## Cylinder Head



序号 Ref.No.	零部件编码 Part No.	零部件名称	Description	数量 Quantity
1	208A000	气缸头组件	Cylinder Head Sub-Assy	1
2	D00A001	进气门导管	Guide,Intake Valve	1
3	D00A002	排气门导管	Guide,Exhaust Valve	1
4	211B008	气缸头密封垫	Gasket,Cylinder Head	1
5	211-2-5	链条腔封环组合	Gasket,Chain Bousing	1
6	L00JQ22	进气管	Inlet Pipe	1
7	211-2-7	进气管密封垫	Gasket,Inlet Pipe	1
8	D00M009	双头螺栓M6×32	Stud M6×32	2
9	D00M015	连接螺栓M6×23	Bolt M6×23	1
10	D00L040	翻边衬套Φ8×9	Sleeve Φ8×9	1
11	D00C059	O型密封圈25.4×2.4	O-Ring 27×2.0	1
12	211-2-12	进气管胶木垫	Insulating Mat,Inlet Pipe	1
13	D00C047	导管O型圈9×1.6	O-Ring 9×1.6	2
14	D00C031	矩形圈9×11.7×1.5	Rectangular Ring 9×11.7×1.5	1
15	578306028	螺栓M6×28	Bolt M6×28	2
16	578306022	螺栓M6×22	Bolt M6×22	2
E-3	凸轮轴 气门	Camshaft & Valves		

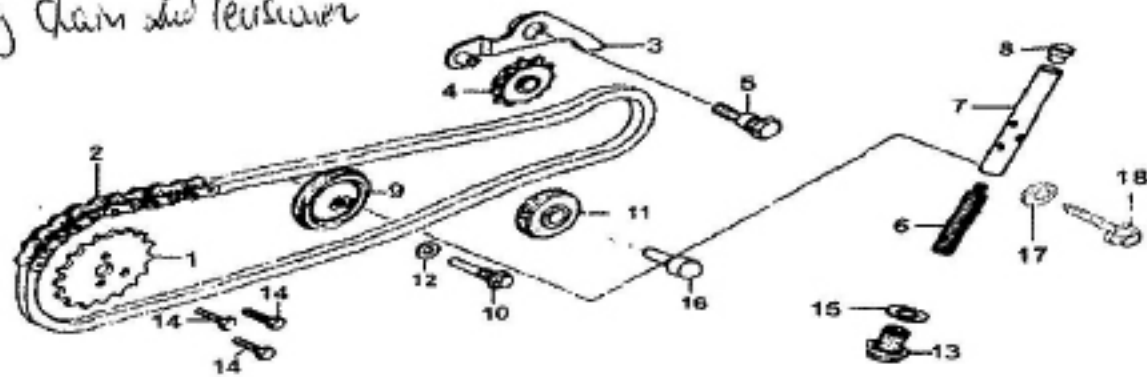
Camshaft and Valves



序号 Ref.No.	零部件编码 Part No.	零部件名称	Description	数量 Quantity
1	D00C043	挡油罩	Oil seal, Valve Stem	2
2	2082F020	凸轮轴组件	Camshaft Assy	1
4	D001F000	气门摇臂	Rocker Arm, Valve	2
5	D00F015	摇臂轴	Shaft, Rocker Arm	2
6	204F045	进气门	Intake Valve	1
7	204F039	排气门	Exhaust Valve	1
8	D00H003	气门外弹簧	Outer Spring, Valve	2
9	D00H004	气门内弹簧	Inner Spring, Valve	2
10	D00F034	气门内外弹簧座	Spring Retainer, Upper	2
11	D00F031	气门外弹簧座圈	Spring Retainer, Outer	2
12	D00F033	气门锁夹	Spring Cone, Valve	4
13	A00F001	气门间隙调节螺钉	Adjusting Screw, Valve Gap	2
14	A00F002	气门间隙调节螺母	Lock Nut	2
15	D00F000	气门摇臂组件	Rocker Arm Assy	2
16	200L043	波形垫圈17.5×10.5×0.2	Washer 17.5×10.5×0.2	2

E-4 正时链条 张紧器 Timing Chain & Tensioner

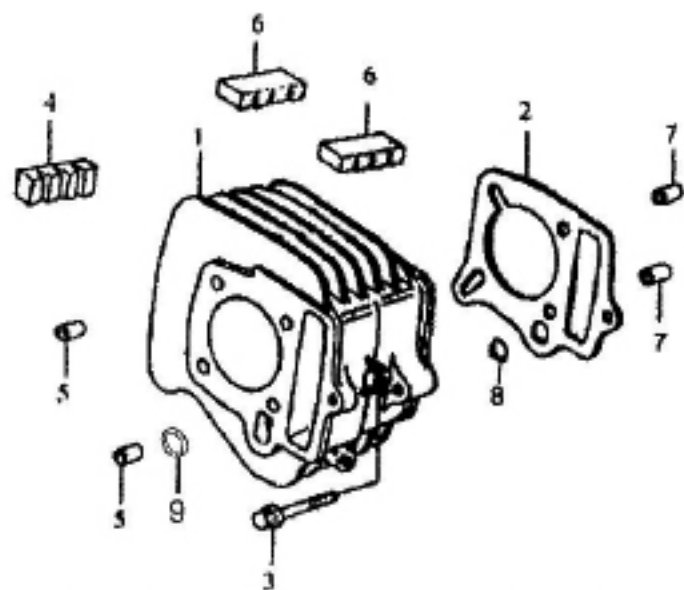
## Timing Chain and Tensioner



序号 Ref.No.	零部件编码 Part No.	零部件名称	Description	数量 Quantity
1	208F011	正时从动链轮(32T)	Timing Driver Sprocket(32)	1
2	E03F012	正时链条(90T)	Timing Chain(84T)	1
3	D00F043	链条张紧臂组件	Tensioning Arm	1
4	D00C020	链条张紧滚轮组件	Tensioning Roller	1
5	E04F041	链条张紧臂芯轴	Screw	1
6	D00H006	链条张紧杆弹簧	Spring	1
7	D00F042	链条张紧杆组件	Tensioning Bar	1
8	D00C022	链条张紧杆头	Cap	1
9	E03C023	链条导向滚轮组件	Guiding Wheel	1
10	E03F048	导向滚轮销轴	Pin, Guiding Wheel	1
11	E04C021	链条张紧滚轮 2	CHAIN TENSION CONTACT ROLLER II	1
12	D00L019	铝垫圈8	Aluminium Washer 8	1
13	D00E025	密封螺塞14	Sealing Plug M14×1.5	1
14	578305012	六角螺栓M5×12	Bolt M5×12	3
15	D00L021	铝垫圈14	Aluminium Washer 14	1
16	E04F041	链条张紧滚轮 2 销轴	CHAIN TENSION CONTACT ROLLER II PIN	1
17	D00L017	铁垫圈6	Washer 6	1
18	96006016	螺栓M6×16	Bolt M6×16	1

E-5 气缸体 Cylinder

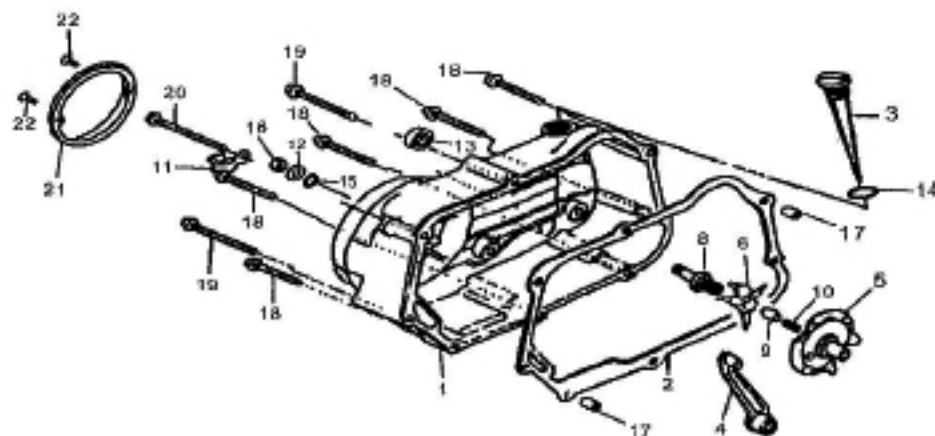
Cylinder



序号 Ref.No.	零部件编码 Part No.	零部件名称	Description	数量 Quantity
1	211A038	气缸体	Cylinder block	1
2	208B010	气缸体密封垫	Cylinder casket	1
3	D00M032	螺栓M6×30	Bolt M6×30	1
4	E03C041	气缸减振块 (一)	Damping rubber No.1	1
5	97108014	气缸头定位销8×14	Cylinder head set pin 8×14	2
6	E03C040	气缸减振块 (二)	Damping rubber No.2	2
7	97108012	定位销8×12	Set pin 8×12	2
8	D00L033	矩形密封圈11.5×15.7×2.4	Rectangular Ring 11.5×15.7×2.4	1
9	D001L032	矩形密封圈14.5×18.5×2.4	Rectangular Ring 14.5×18.5×2.4	1

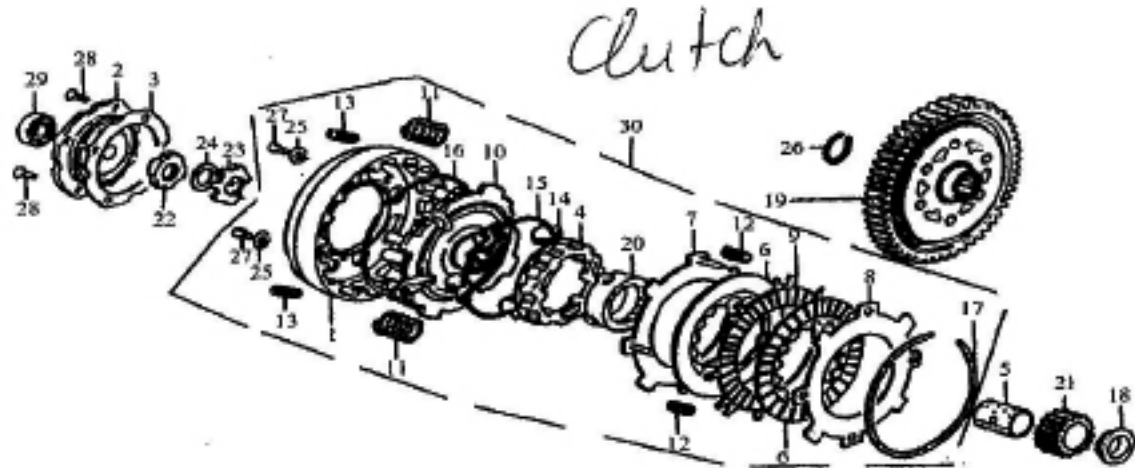
E-6 右曲轴箱盖 Right Crankcase Cover

R Crankcase Cover



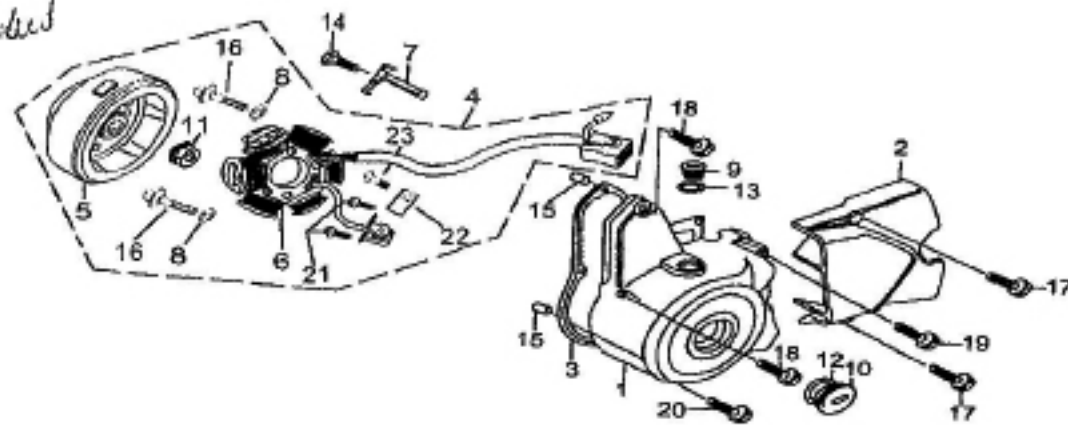
Ref.No.	Part No.			Quantity
1	D024A034	右曲轴箱盖	Right Crankcase Cover	1
2	E04B002	右曲轴箱盖密封垫	Gasket.Crankcase Cover,RH	1
3	D002C038	机油标尺	Dipstick	1
4	201G056	离合器操纵臂组件	Clutch Lever Comp	1
5	201G044	离合器凸轮盘	Clutch Plate Set	1
6	201G045	离合器挺杆	Ball Retainer Comp	1
8	201G049	离合器调整螺栓	Clutch Adjusting Bolt	1
9	211-6-9	通油管	Oil Tube	1
10	D00L013	通油管弹簧	Spring	1
11	D00L039	绳夹	Cord Clip	1
12	D00L015	垫圈8MM	Washer 8MM	1
13	D00C016	油封13.8×24.5	Oil Seal 13.8×24.5	1
14	D00C060	O形圈18×3	O-Ring 18×3	1
15	D00C055	O形圈8mm	O-Ring 8mm	1
16	6170080000	六角螺母8mm	Hex Nut 8MM	1
17	97008012	定位销8×12	Dowel Pin 8×12	2

E-6 右曲轴箱盖 Right Crankcase Cover



序号 Ref.No.	零部件编码 Part No.	零部件名称	Description	数量 Quantity
1	211-7-1	离合器外罩	Clutch Hood	1
2	D02G029	离合器端盖	End Cover	1
3	D02B011	离合器端盖密封垫	Gasket	1
4	211-7-4	离合器定心滑套	Clutch element	1
5	A00G025	离合器轴套	Bush	1
6	D02G001	离合器摩擦片	Friction disk A	2
7	D00G062	离合器下板	Drive Plate A	1
8	D00G061	离合器上板	Drive Plate B	1
9	211-7-9	离合器中摩擦片	Drive Disk B	1
10	211-7-10	离合器主动盘	Drive Plate	1
11	211-7-11	离合器弹簧	Clutch Spring	4
12	211-7-12	离合器分离弹簧	Spring 5×10	4
13	211-7-13	离合器减震弹簧	Damping Spring	4
14	211-7-14	离合器飞块	Clutch Blocks	28
15	211-7-15	离合器飞块挡圈	Spring	1
16	211-7-16	离合器定位挡圈	Collar	1
E-7	离合器	Clutch		

Left Crankcase Cover and  
Magnetic Motor

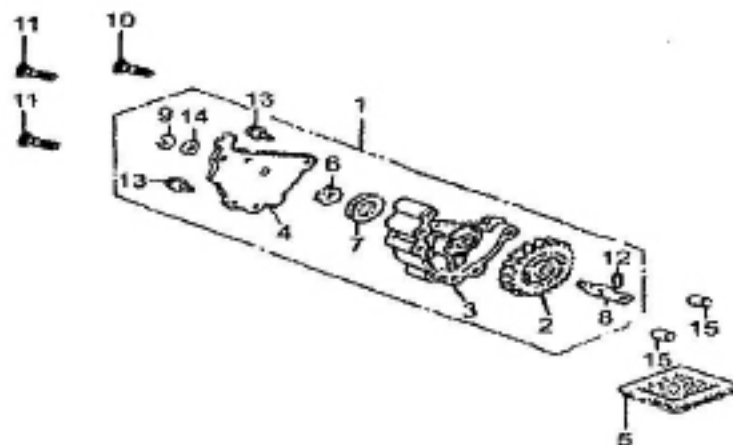


序号 Ref.No.	零部件编码 Part No.	零部件名称	Description	数量 Quantity
1	D009A040	左前盖	Crankcase Cover,LH	1
2	L00WG13	左后盖	Rear Cober.LH	1
3	D00B001	左前盖密封垫	Gasket,Crankcase,LH	1
4	E03D050	磁电机总成	Magneto Assy	1
5	D008D060	磁电机转子组合	Rotor,Magneto	1
6	E036D070	磁电机定子组合	Stator,Magneto	1
7	D001L011	线束压板	Wire Clamp 6	1
8	93060000	弹簧垫圈6	Washer 6	2
9	D00A042	小视孔盖	A.c generator cap	1
10	D00A043	大视孔盖	hole plug	1
11	617710000	磁电机紧固螺母M10×1.25	Lock Nut	1
12	D00C051	O形圈27.4×2.4	O-ring 27.4×2.4	1
13	D00C052	O形圈13.8×2.5	O-ring 13.8×2.5	1
14	96006016	螺栓M6×16	Bolt M6×16	1
15	97008012	定位销8×12	Set Pin 8×12	2
16	96006020	带盘螺栓M6×20	Bolt M6×16	2

E-8 左曲轴箱盖 磁电机 Left Crankcase Cover & Magnetic Motor



# Oil Pump

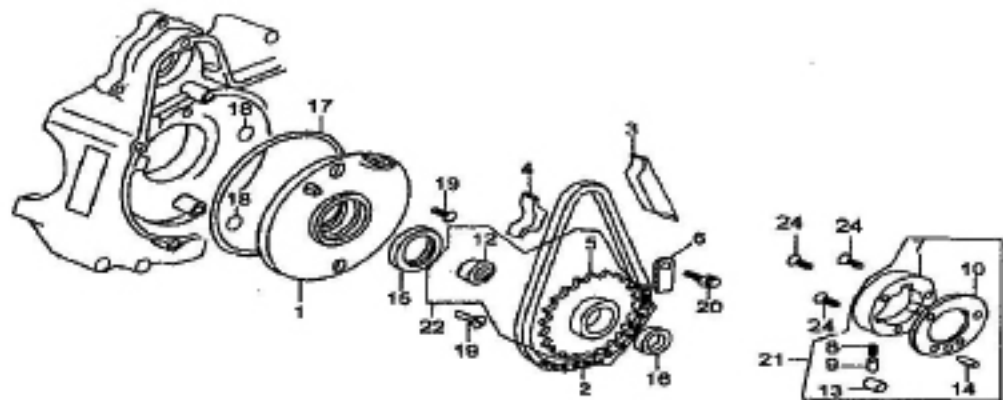


Ref.No.	Part No.			Quantity
1	200E000	机油泵总成	Oil pump Assembly	1
2	211-9-2	机油泵从动齿轮	Driven gear	1
3	211-9-3	机油泵体	Oil pump body	1
4	211-9-4	机油泵盖	Oil pump cover	1
5	D00C037	机油过滤网组合	Oil gauze filter	1
6	211-9-6	机油泵内转子	Oil pump inner rotor	1
7	211-9-7	机油泵外转子	Oil pump outer rotor	1
8	211-9-8	机油泵轴	Oil pump shaft	1
9	211-9-9	挡圈	Collar	1
10	211-9-10	螺钉M6×35	Screw M6×35	1
11	211-9-11	螺钉M6×40	Screw M6×40	2
12	211-9-12	销3×16	Set pin 3×16	1
13	211-9-13	螺栓M5×10	Bolt M5×10	2
14	211-9-14	垫圈6	Washer 6	1
15	211-9-15	定位销	Limit pin	2

E-10 起动离合器

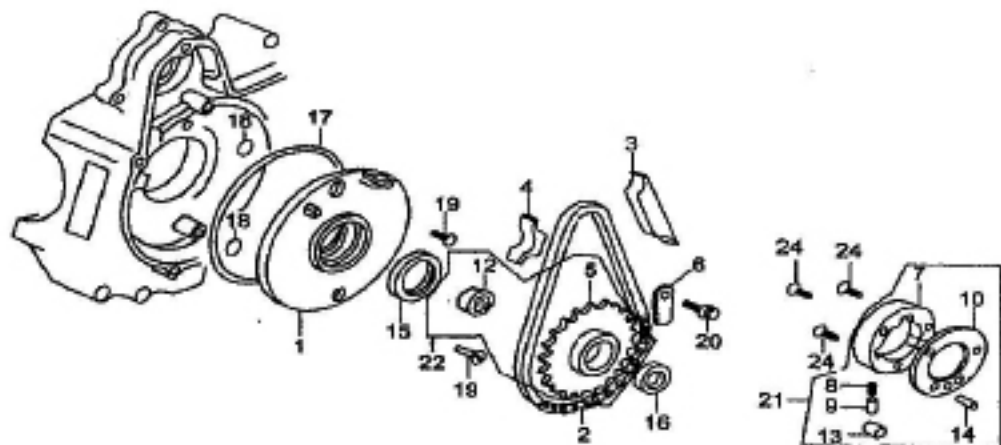
Starting Clutch

# Starting Clutch



序号 Ref.No.	零部件编码 Part No.	零部件名称	Description	数量 Quantity
1	D00A060	封油盘组件	Oil Separate Plate	1
2	D00I011	起动机链条62T	Starting Chain,62T	1
3	D00C006	张紧板	Starter Chain Guide	1
4	D00C007	导向板	Starter Chain Protector	1
5	D00I020	链轮组件	Starting Sprocket Comp	1
6	D00L027	起动机链轮压板	Starting Sprocket Setting Plate	1
7	D00G072	起动机离合器本体组合	Body,Start Clutch	1
8	D00G073	弹簧	Spring	3
9	D00G074	弹簧套	Bush, Spring	3
10	D00G075	起动机离合器盖板	Covering Plate, Starting Clutch	1
12	D00I021	铜套	Starting Sprocket Collar	1
13	D00G071	滚子10×10	Roller 10×10	3
14	D00G076	起动机离合器盖板销5×12	Pin 5×12	1
15	D00C019	油封30×42×4.5	Oil seal 30×42×4.5	1
16	D00C028	油封18.9×30×5	Oil seal 18.9×30×5	1
17	D001C062	O型圈107×2	O-ring 107×2	1
E-10 起动机离合器 Starting Clutch				

# Starting clutch

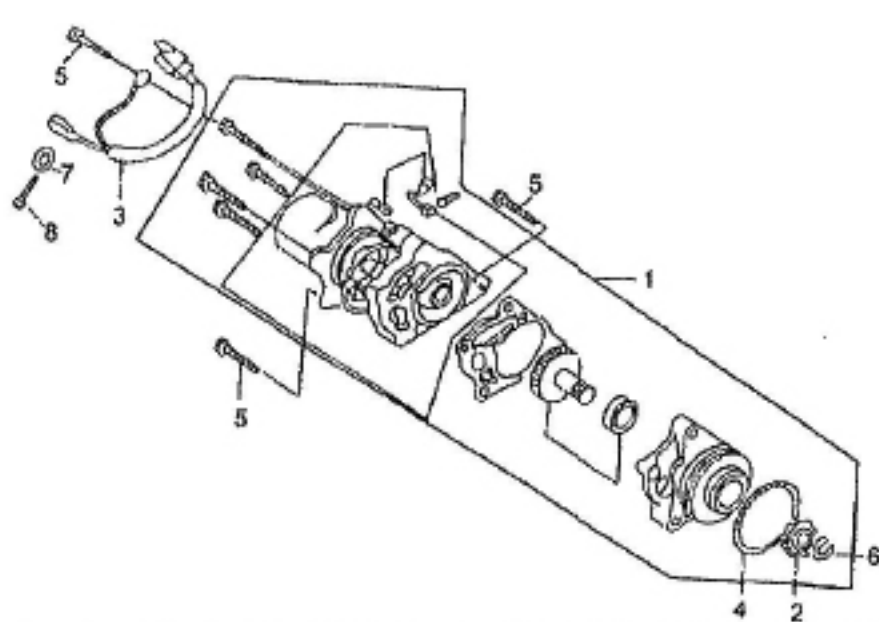


序号 Ref.No.	零部件编码 Part No.	零部件名称	Description	数量 Quantity
18	F002C048	O型圈6.8×1.9	O-ring 6.8×1.9	2
19	81906016	螺钉M6×16	Screw M6×16	2
20	578306016	六角螺钉M6×14	Screw M6×14	1
21	D00G070	起动离合器装配组合	Start Clutch Assy	1
22	211-10-22	起动离合器链轮组合	Sprocket	1
24	7006014	内六角螺钉M6×14	Screw M6×14	3

E-11 起动电机

Starting Motor

Starting motor

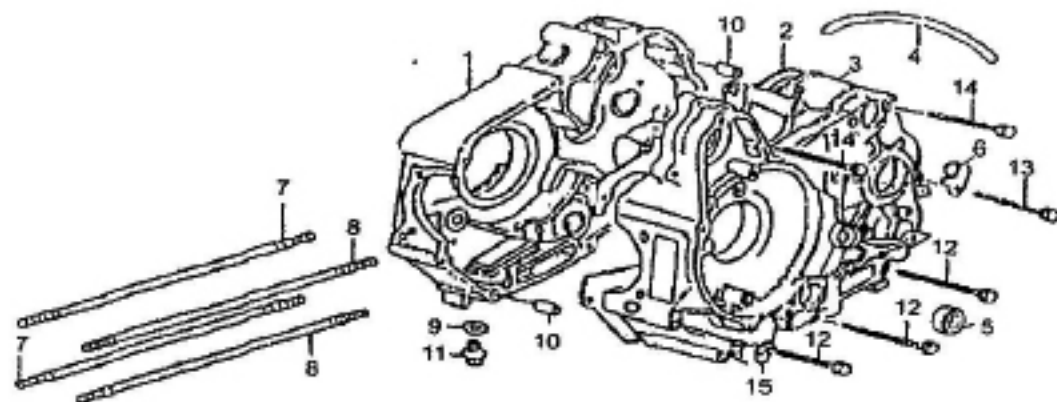


序号 Ref.No.	零部件编码 Part No.	零部件名称	Description	数量 Quantity
1	D00D000	起动电机	Starting motor	1
2	D00D006	小锥轮	Sprocket, Small	1
3	211-11-3	起动电机线束	Wire Harness Starting	1
4	D00D015	O型密封圈	O-ring	1
5	96006050	螺栓M6×50	Bolt M6×50	3
6	F00G030	挡圈12	Collar 12	1
7	211-11-7	垫圈4	Washer 4	1
8	84804006	螺钉M4×6	Screw M4×6	1

E-12 曲轴箱

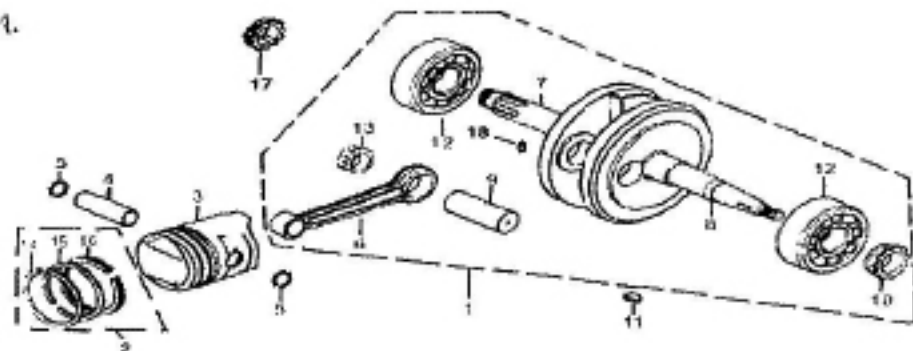
Crankcase

Crankcase



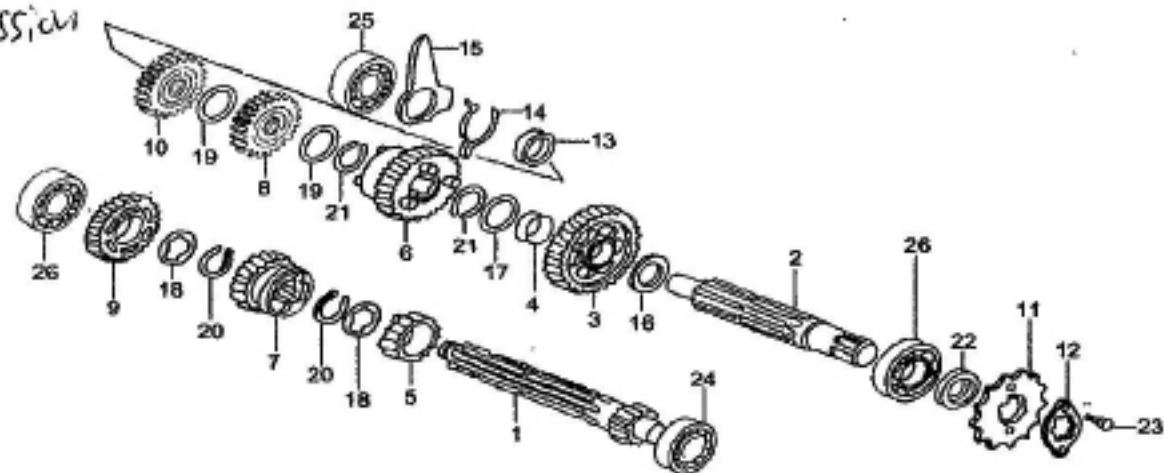
序号 Ref.No.	零部件编码 Part No.	零部件名称	Description	数量 Quantity
1	211A020	右曲轴箱组件	Crankcase Sub-Assy,RH	1
2	E04B005	曲轴箱密封垫圈	Gasket,Crankcase	1
3	211A010	左曲轴箱组件	Crabkcase Sub-Assy,LH	1
4	D0011C024	废气管	Exhaust Pipe	1
5	D00C026	变档轴油封11.6×24×10	Oil Seal 11.6×24×10	1
6	D00L014	废气管管夹	Clamp	1
7	206M001	双头螺栓A	Bolt A,Cylinder	2
8	206M002	双头螺栓B	Bolt B,Cylinder	2
9	D00L022	放油螺塞垫圈	Washer	1
10	97010014	定位销10×14	Dower Pin 10×14	2
11	D00E026	放油螺塞M12×1.5	Drain Plug M12×1.5	1
12	96006065	螺栓M6×65	Crown Bolt M6×65	3
13	96006050	螺栓M6×50	Crown Bolt M6×50	1
14	96006060	螺栓M6×60	Crown Bolt M6×60	2
15	D00L039	高压线夹	Pipe Clamp	1
E-13	曲轴 活塞	Crankshaft& Piston		

Crankshaft and Piston



序号 Ref.No.	零部件编码 Part No.	零部件名称	Description	数量 Quantity
1	2111J000	曲柄连杆总成	Crankshaft & Connecting Rod	1
2	E26J013	活塞环组合	Piston Ring Set	1
3	E26J014	活塞	Piston	1
4	204J012	活塞销	Piston Pin	1
5	204J011	活塞销挡圈	Cirelip,Piston Pin	2
6	211J025	连杆	Connecting Rod	1
7	211J025	右曲柄	Crankshaft,RH	1
8	211J025	左曲柄	Crankshaft,LH	1
9	211-13-9	曲柄销	Pin,Crankshaft	1
10	211-13-10	正时主动链轮(16T)	Drive Sprocket,Timing(16T)	1
11	211-13-11	半圆键	Woodruff Key	1
12	2766304	轴承6304	Bearing 6304	2
13	211-13-13	连杆大头轴承	Bearing	1
14	E26J009	活塞环(一)	Piston Ring(I)	1
15	E26J010	活塞环(二)	Piston Ring(II)	1
16	E26J015	油环组合	Oil ring,3-piece	1
17	211-13-17	油泵齿	Oil pump Driving Gear	1
18	211-13-18	销	Set pin	1
E-14	主轴和副轴	Transmission		

Explain Simi SS'ich

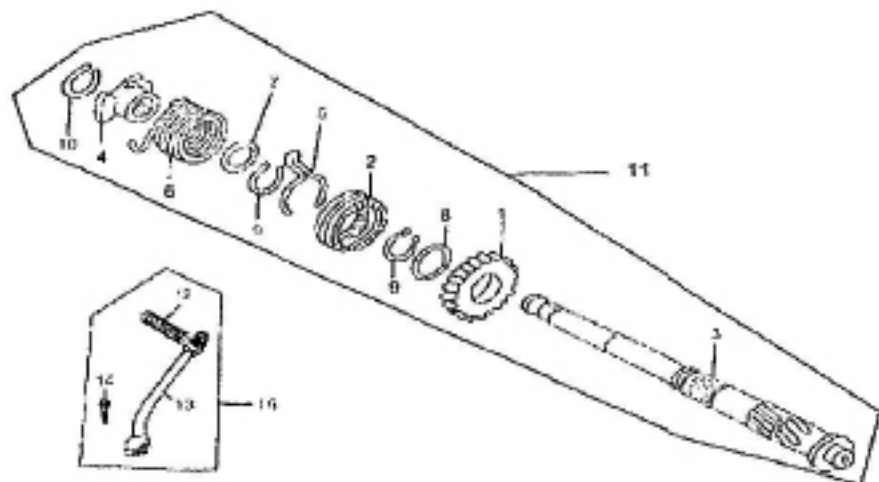


序号 Ref.No.	零部件编码 Part No.	零部件名称	Description	数量 Quantity
1	D02K031	转动主轴	MAIN SHAFT	1
2	D00K041	转动副轴	COUNTER SHAFT	1
3	D00K042	副轴一档齿轮	C-1 GEAR	1
4	A00K043	衬套20×9	BUSH 20×9	1
5	D00K032	主轴二档齿轮	M-2 GEAR	1
6	D00K045	副轴二档齿轮	C-2 GEAR	1
7	D00K033	主轴三档齿轮	M-3 GEAR	1
8	D00K046	副轴三档齿轮	C-3 GEAR	1
9	D00K034	主轴四档齿轮	M-4 GEAR	1
10	D00K047	副轴四档齿轮	C-4 GEAR	1
11	D00K014	主动链轮	DRIVE SPROCKET 14T	1
12	D00K013	固定板	DRIVE SPROCKET FIXING PLATE	1
13	D00K057	衬套	COLLAR	1
14	D00K058	弹簧	SPRING	1
15	D00K071	变速鼓限位板	GEARSHIFT DRUM LOCK PLATE	1
16	A00K054	止推垫圈17mm	THRUST WASHER 17MM	1

E-14 主轴和副轴

Transmission

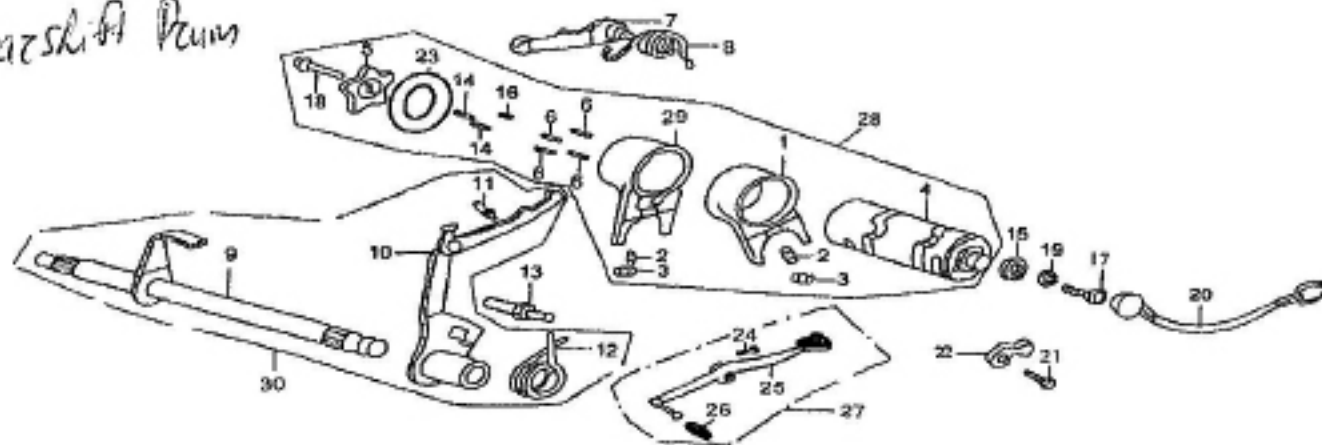
Kick-starter



序号 Ref.No.	零部件编码 Part No.	零部件名称	Description	数量 Quantity
1	D00I009	起动机齿轮	PINION KICK STARTER	1
2	D00I006	起动机棘轮	STARTER DRIVE RATCHET	1
3	D00I010	起动机轴	KICK STARTER SPOINDLE	1
4	D00I011	起动机轴弹簧座	KICK SPRING RETAINER	1
5	D00I016	起动机齿轮摩擦弹簧	STARTER PINION FRICTION SPRING	1
6	D00I012	起动机轴复位弹簧	KICK STARTER SPRING	1
7	A00I008	垫圈17mm	WASHER 17MM	1
8	A00I004	止推垫圈20mm	THRUST WASHER 20MM	1
9	A00I002	档圈20mm	SER RING 20MM	2
10	A00I007	档圈16mm	EXTERNAL CIRCLIP 16MM	1
11	D00I000	起动机轴组件	Starting Shaft Assy	1
12	211-15-12	踏杆胶套	Rubber Boot	1
13	211-15-13	起动机杆组合	Kick-pedal	1
14	578306020	螺栓M6×20	Bolt M6×20	1
15	L00QD17	起动机杆总成	Kick-pedal Assy	1
E-16	变档凸轮	Gearshift Drum		

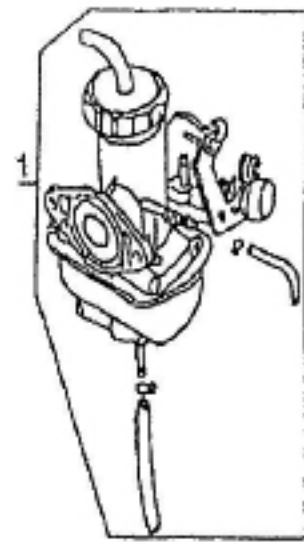


# Gearshift Drum



序号 Ref.No.	零部件编码 Part No.	零部件名称	Description	数量 Quantity
1	D00K061	拨叉(一)	Fork(I)	1
2	A00K069	拨销	Guide pin	2
3	A00K063	弹簧夹	Circlip	2
4	D00K066	变档鼓	Gear Shift Drum	1
5	D00K023	五星板	Gear Shift Drum Stopper Plate	1
6	D00K059	档位指示销(一)	Pin(I)	4
7	D00K070	变速鼓定位板组件	Locator, Gearshift	1
8	D00H009	变速鼓定位板弹簧	Torque Spring	1
9	D00K001	换档轴组合	Shaft, Gearshift	1
10	211-16-10	变档拨板组合	Shifter Set	1
11	211-16-11	变档拨板弹簧	Spring, Shifter	1
12	211-16-12	变档轴回位弹簧	Back Spring, Gearshift Shaft	1
13	D00K024	换档臂定位螺栓	Shift Return Spring Pin	1
14	211-16-14	滚针Φ3×8.5	Roller Φ3×8.5	2
15	D001D040	档显器组件	Gear Indicating Contactor Set	1
16	211-16-16	档位指示销(二)	Gearshift Indicator(II)	1
E-16	变档凸轮	Gearshift Drum		

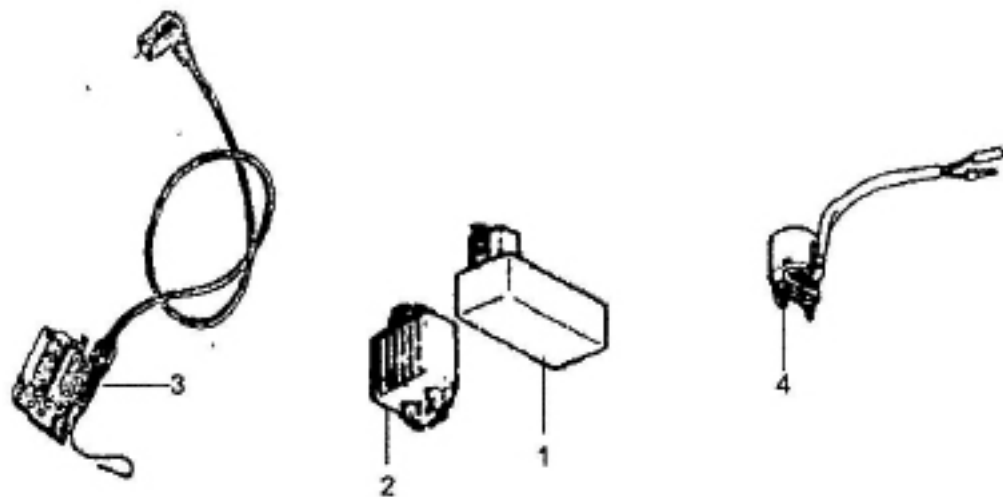
Carburetor



序号 Ref.No.	零部件编码 Part No.	零部件名称	Description	数量 Quantity
1	N092Q000	化油器总成	Carburetor Assy	1

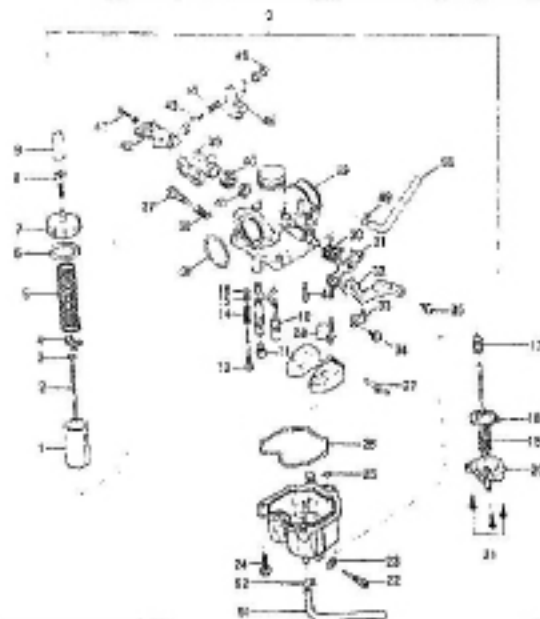
E-18 电器 Electric Elements

# Electric Elements



序号 Ref.No.	零部件编码 Part No.	零部件名称	Description	数量 Quantity
1	L00E050	点火控制器	CDI	1
2	L001E020	电压调节器	Voltage Regulator	1
3	L00E010	点火线圈	Ignition Coil	1
4	L00E030	启动继电器	Start Relay	1

## E-17 化油器 Carburetor



序号	零件编码	零件名称		数量
REF.	PART NO.	CHINESE	ENGLISH	QTY
0	N092Q000	化油器总成	Carburetor Assy	1
1	N092Q000-01	节流阀	VALVE, throttle	1
2	N092Q000-02	针阀调节喷嘴	NEEDLE, jet	1
3	N092Q000-03	节流阀E型密封圈	E-RING, throttle valve	1
4	N092Q000-04	夹圈	CLIP	1
5	N092Q000-05	节流阀弹簧	SPRING, throttle valve	1
6	N092Q000-06	密封圈	GASKET, top cover	1
7	N092Q000-07	顶盖	COVER, top	1
8	N092Q000-08	油门调节螺钉	ADJUSTER, throttle cable	1
9	N092Q000-09	顶帽	CAP, carburetor top	1
10	N092Q000-10	喷油钉	JET, needle	1
11	N092Q000-11	喷嘴	JET, main	1
12	N092Q000-12	针阀	JET, pilot	1
13	N092Q000-13	螺钉	SCREW, pilot	1
14	N092Q000-14	弹簧	SCREW, pilot screw	1
15	N092Q000-15	垫圈	WASHER	1
16	N092Q000-16	O型密封圈	O-RING	1
17	N092Q000-17	密封帽	CAP, sealing	1